



M 02-23 0000-49-ENG

## Product datasheet

# kubria® Cone Crusher M 210

## Advanced technology for secondary crushing

The kubria® Cone Crusher crushes hard rock by compressive forces between the crusher shell and the mantle. Its crushing chamber is designed to your specifications and can be adapted to new tasks. This design allows a greater variety of feed materials and enables you to manufacture customised products. The Kubriamatic is a compact reliable control and monitoring system especially designed for our Cone Crushers.

### Flexible secondary crushing

#### Optimized crushing chamber

- High throughput rates with high degree of finished product
- Excellent reduction ratio
- Production of material with good cubic shape
- Low operating and wear costs
- Feed opening and geometry of crushing chamber can be simply modified by crushing rings and appropriate adapters

#### Hydraulic main shaft adjustment

- Electrohydraulic adjustment of crushing gap with stroke measurement
- Protection system for automatic tramp release

#### Kubriamatic system

- Simple check of the wear status of the crushing chamber
- Automatic gap adjustment and control, even under load
- Control and interlocking of all machine parameters and auxiliary systems

#### Hydrostatic bearing

- Suitable for extremely hard materials and high crushing forces

# FLS

# kubria® Cone Crusher M 210

## Drive concept

- Direct or V-belt drive
- Cyclo-palloid toothing of bevel gear for smooth operation
- Good accessibility

## Maintenance friendly design

- Easy access to all heavy components from above

## Multi-sectional design of main frame shells

- Solid, weight-optimized design

## Automatic grease lubrication unit

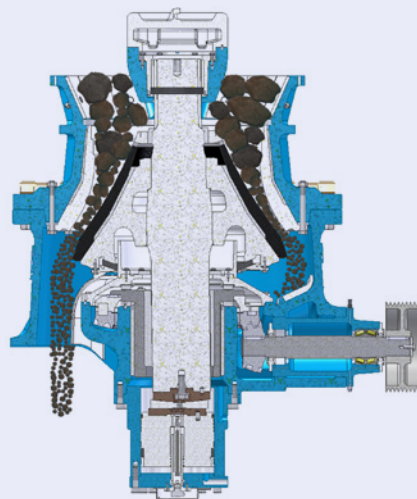
- Reliable lubrication of upper main shaft bearing

## Technical specification

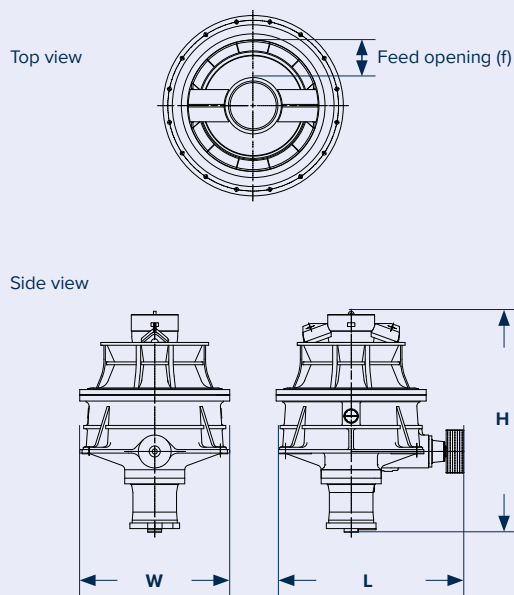
General data	
Materials	Granite, basalt, iron ore etc.
Maximum feed size	Up to 360 mm edge length
Product size	0 – 56 mm 0 – 63 mm
Capacity	0 – 56 mm: Up to 1,100 tph 0 – 63 mm: Up to 1,250 tph
Crusher	
Type of Cone Crusher	kubria® 210
Version	M (Middle)
Crushing chamber	Optimised according to crushing task
Lower cone diameter	2,100 mm
Feed opening (f)	Max. 450 mm
Gap setting (Closed Side Setting)	25 – 50 mm
Control and monitoring system	Kubriamatic
Main dimensions (l x w x h)	3,866 mm x 3,200 mm x 4,920 mm
Total weight*	Up to 77 mt
Drive	
Drive concept	Direct or V-belt
Motor power	Up to 600 kW

\* Weights indicated do not include drive unit, electrics, controls and hydraulics

## Crushing principle



## Main dimensions



**FLSmidth A/S**  
2500 Valby  
Denmark  
Tel. +45 3618 1000  
info@flsmidth.com

[www.flsmidth.com](http://www.flsmidth.com)

**FLSmidth Inc.**  
Salt Lake City Operations  
Midvale, UT 84047-5559  
USA  
Tel. +1 801 871 7000  
info.sl@flsmidth.com

**FLSmidth Mining Technologies GmbH**  
Ennigerloh Operations  
59320 Ennigerloh  
Germany  
Tel. +49 201 828 3000  
mining-technologies@flsmidth.com

Copyright © 2023 FLSmidth A/S. All Rights Reserved. FLSmidth and FLS are (registered) trademarks of FLSmidth A/S. This brochure makes no offers, representations or warranties (express or implied), and information and data contained in this brochure are for general reference only and may change at any time.