

# Gyratory style crushers

Component identification Allis-Chalmers® | Thyssenkrupp® | Metso® | Nordberg® | Sandvik® | Svedala®

## Topshell assembly

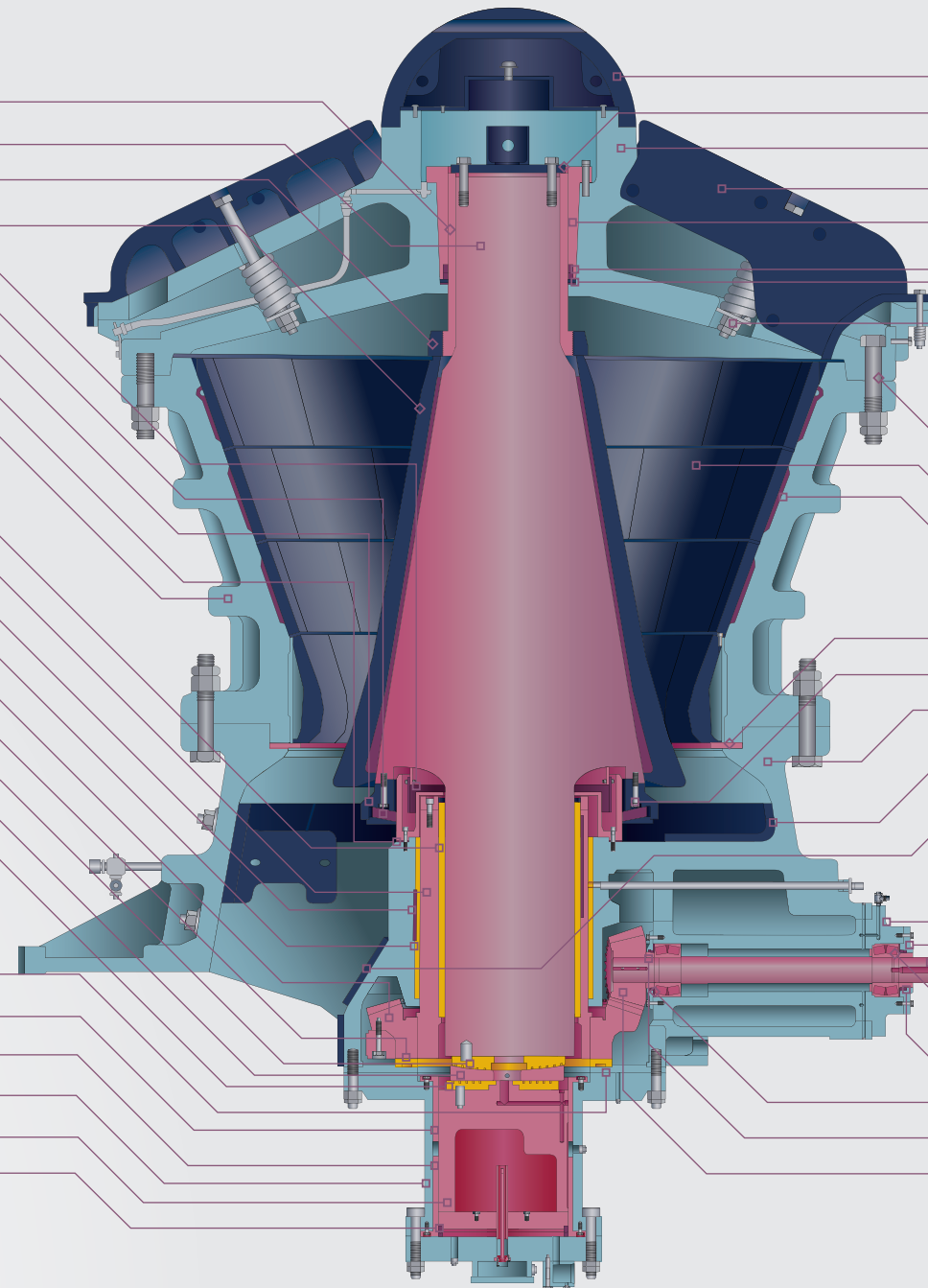
- Mainshaft Sleeve
- Mainshaft
- Head Nut
- Mantle
- Splash Curtain
- Dust Seal
- Upper Dust Seal Retainer
- Lower Dust Seal Retainer
- Topshell

## Eccentric assembly

- Eccentric Bushing
- Eccentric
- Key
- Bottomshell Bushing
- Gear
- Eccentric Wear Plate
- Mainshaft Step Plate
- Step Washer
- Piston Wear Plate

## Hydroset™ assembly

- Eccentric Support Plate
- Upper Hydroset™ Bushing
- Lower Hydroset™ Bushing
- Hydroset™ Cylinder
- Hydroset™ Piston
- Hydroset™ Seal



## Spider assembly

- Spider Cap
- Clamping Plate
- Spider
- Spider Arm Shield
- Spider Bushing
- Spider Bushing Oil Seal
- Scraper

## Miscellaneous components

- Spider Arm Shield Bolt
- Shell Bolt
- Concaves
- Backing Compound
- Concave Support Ring
- Dust Collar
- Bottomshell
- Pinionshaft Arm Liner
- Hub Liner

## Pinionshaft assembly

- Pinionshaft Housing
- Pinionshaft Housing Seal Plate
- Pinionshaft
- Pinionshaft Bearings
- Pinionshaft Seals
- Spacer
- Pinion